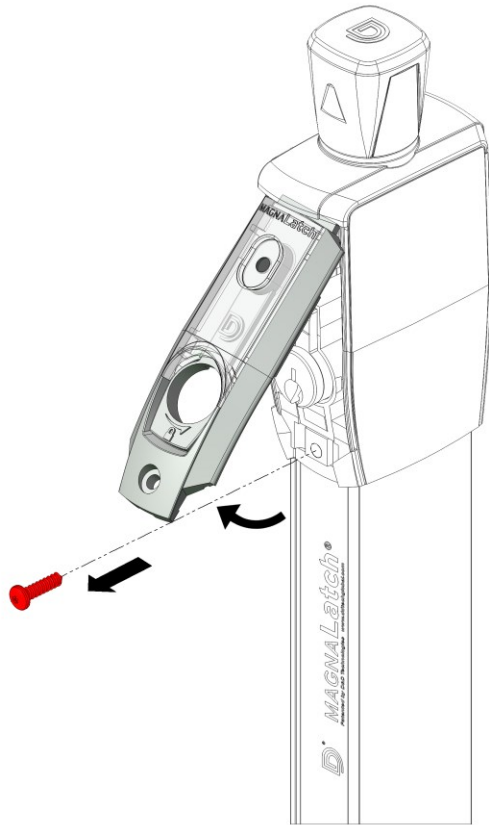




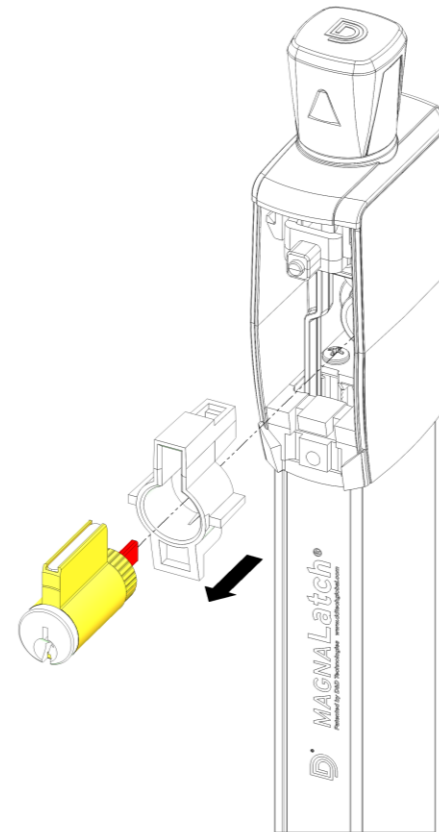
“Important – MAGNALATCH must be unlocked with no key in Lock cylinder”

To remove Lock cylinder

1. Remove security screw (Torx T10 Driver) and front cover

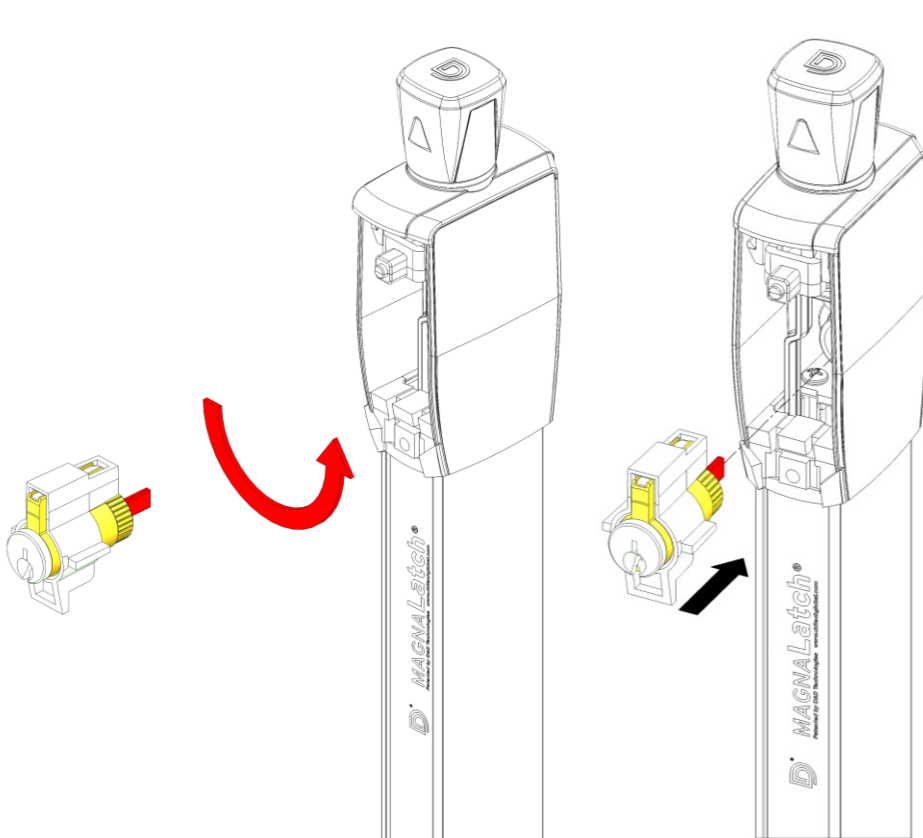


2. Remove lock cylinder and lock chassis

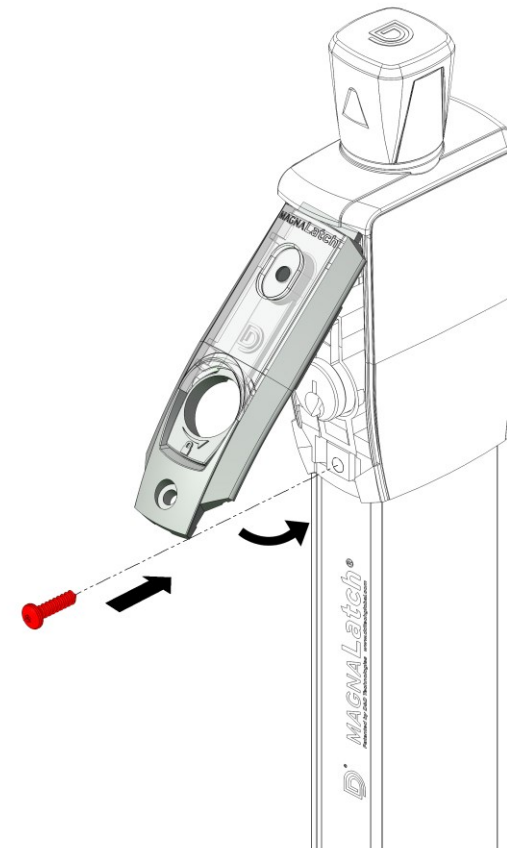


To re-install lock cylinder

3. Lock tail must be fully turned anti clockwise to the vertical position before inserting into top housing

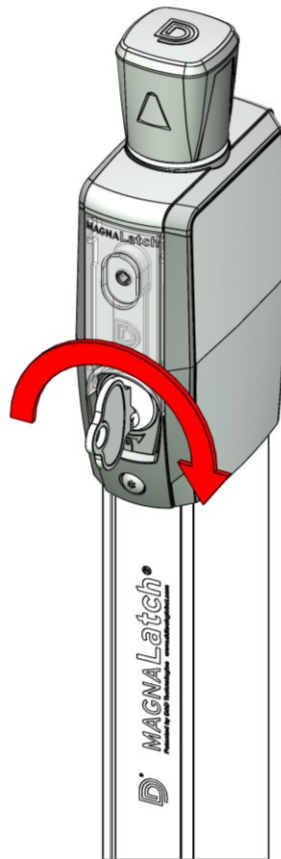
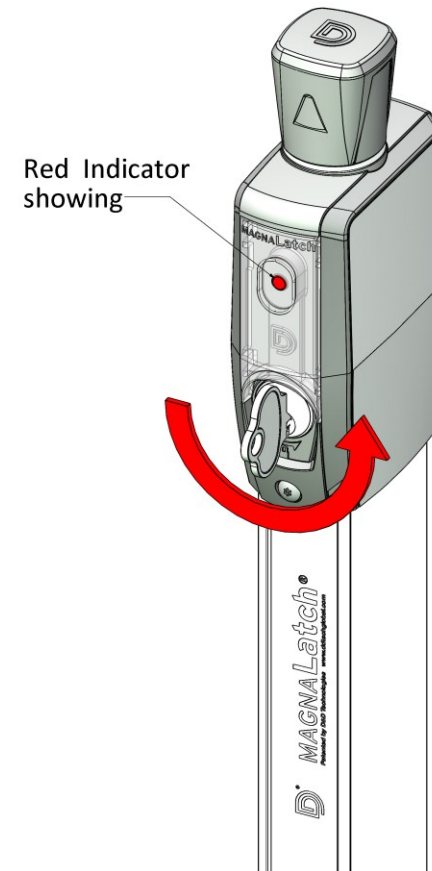


4. Place front cover onto top housing and secure front cover with security screw (Torx T10 Driver)



To Test lock function

5. Insert key and turn counter clockwise until the red lock indicator is shown. Once locked remove key and test the locking function. Then unlock and test the product is unlocked.

**(Unlocked)****(Locked)**